

# USER MANUAL

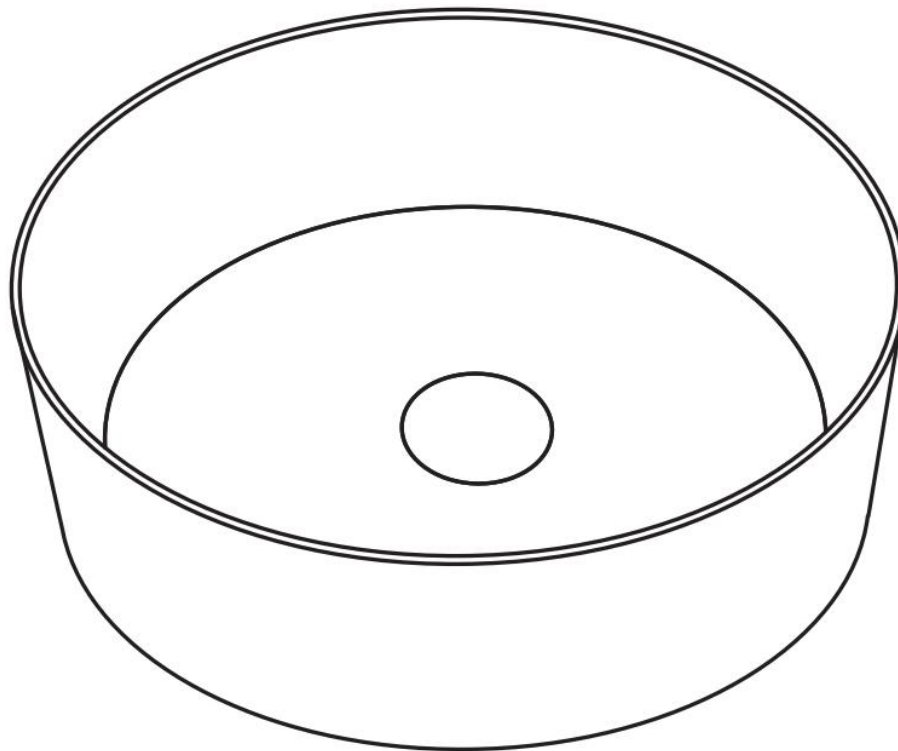


Thank you for choosing Better Bathrooms.  
Please read this manual before installing your product  
and keep for future reference.

**better**   
**bathrooms**

## Stainless Steel Brass/ Gunmetal/ Black Round Countertop Basin 400mm - Zorah

**ZORAHBR400/ ZORAHGM400/ZORAHMB400**



- **Single-person assembly**
- **Tools required**
- **We always recommend using professional tradespeople to install your product**

V1\_10.09.2024

# Congratulations on your purchase

*And welcome to our growing gang of savvy shoppers*

We're on a mission to bring you extraordinary bathroom products, for less. From modern to traditional style ceramics, plus the gorgeous fixtures, fittings and furniture to match. So, you can fall in love with your space every single day.

As one of the UK's largest independent bathroom stores, we've received countless awards; including the National Business Awards UK, the Digital Entrepreneur Awards and being placed on The Sunday Times Fast Track 100.

We hope your new product goes above and beyond your expectations. However, should any problems occur, please:

- log in to your account and contact our customer services team via your self-serve portal – [betterbathrooms.com/CustomerAccount/Login](https://betterbathrooms.com/CustomerAccount/Login)
- contact us via [betterbathrooms.com/content/contact-us](https://betterbathrooms.com/content/contact-us)

## Important information

- Please read these instructions thoroughly and retain for future reference
- Always check for pipes and cables before drilling

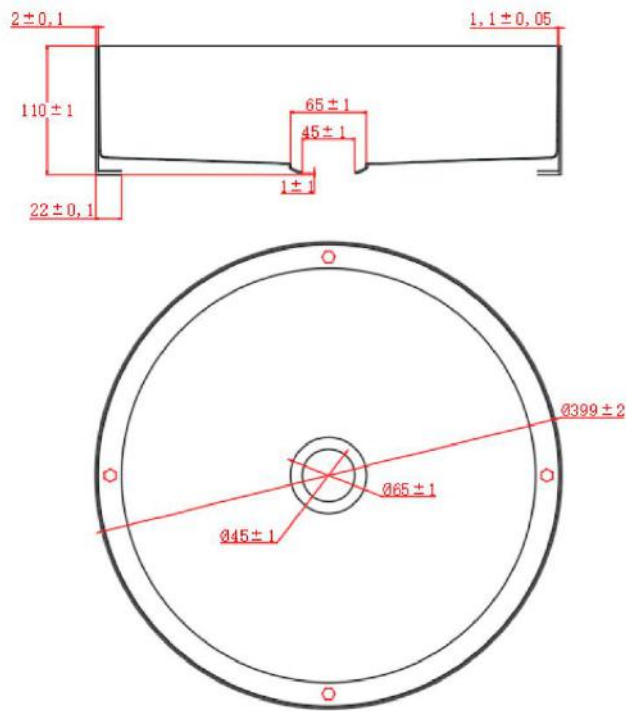
# Contents

- Component Listing
- Technical Drawing
- Tools Required
- Installation Notices
- Installation Instructions
- Maintenance, Care & Cleaning

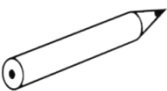
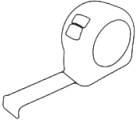


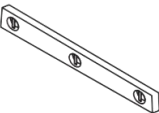
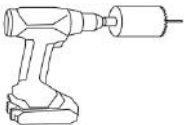
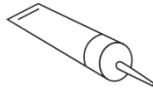

# Component including

- 1. Basin
- 2. Strainer

## Technical Drawing



## Tools Required (not supplied)

 Pencil / Marker	 Tape measure	 Safety glasses	 Gloves
 Spirit level	 Hole saw	 Silicone	 Adjustable wrench

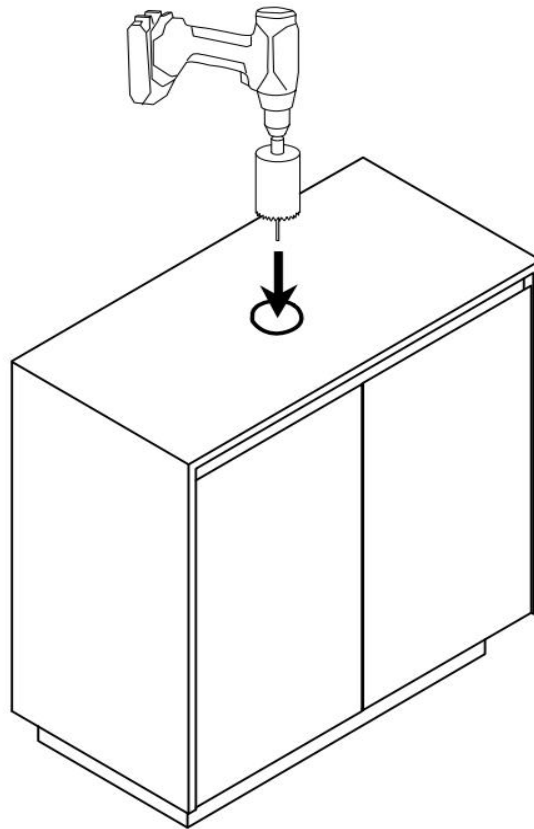
# Installation Notices

- Observe all plumbing and building codes in accordance with your area and local requirements.
- All dimensions are nominal! Be sure to measure your basin prior to installation.
- The step-by-step guidelines in the installation instructions are a general reference. Should there be any discrepancies, Better Bathrooms cannot be held liable. It is recommended to install all Better Bathrooms products by hiring a licensed professional.
- Read installation and maintenance instructions thoroughly before installing. Be sure to use proper tools and always wear proper personal safety accessories for your protection.

# Installation Instructions

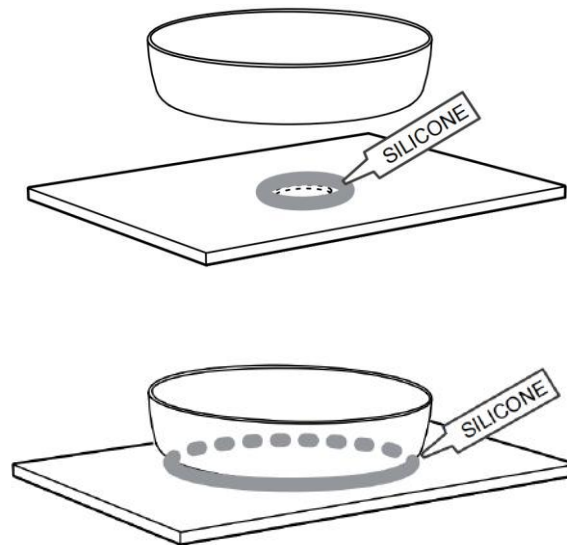
## 1. Position and Cut Countertop

- Mark out desired location of basin and drill hole for basin waste with a hole saw.



## 2. Secure Basin to Countertop

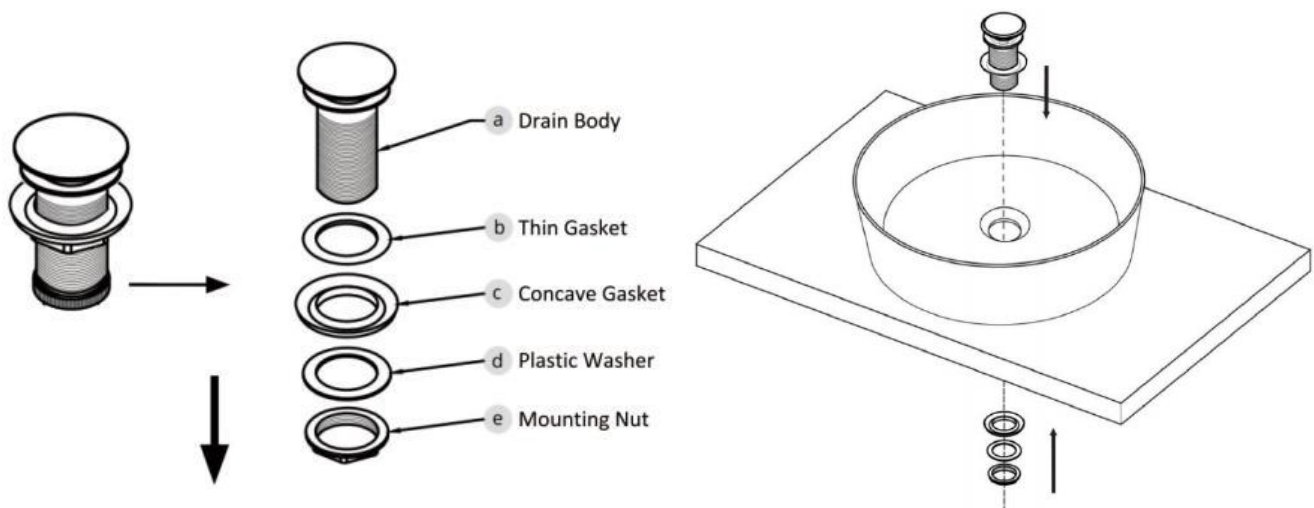
- Apply clear silicone around the cut edge of the top and the bottom of the basin.



## 3. Install Strainer

- Begin by removing the mounting nut (e), plastic washer (d) and concave washer (c) from the drain body (a).
- Install the drain body (a), with the rubber washer (b) attached, into the drain hole of the basin. From underneath the bowl, attach concave washer (c) (narrow end facing up), plastic washer (d) and mounting nut (e) to drain body (a).
- Tighten the mounting nut (e) with an adjustable wrench until snug.

Note to Installer: Silicone can also be applied.



# Maintenance, Care & Cleaning

By following these maintenance tips, you can maintain the finish of your Coloured stainless steel basin for longer:

- The colouring is a solid coating (Physical Vapour Deposit) on the stainless steel's surface only; harsh scratching is not recommended.
- Scratching on the surface of basins occurs as a result of normal use over time. Scratches cannot be removed, but they will fade in appearance over time. Cleaning on a regular basis is the best form of maintenance. Cleaning a little bit on a regular basis is preferable to cleaning a lot on a sporadic basis.
- The best way to prevent future problems is to keep the basin clean and dry. After each use, rinse and towel dry the basin to avoid major cleaning and to keep it shiny and free of water spots.
- Make sure there's no standing water in the basin, as this can lead to mineral deposits. The appearance of your basin can be affected by the quality of your water, which varies from household to household.
- When cleaning your basin, choose the gentlest method that will get the job done. When using household cleaners such as detergents or bleaches, use extreme caution.
- Use cleaning products specifically designed for stainless steel and follow the manufacturer's instructions to treat grime and mineral deposits that may accumulate over time.
- To avoid water spotting, always rinse the basin after using a cleaning agent and wipe it dry.
- Do not clean your basin or any utensils in the basin with metallic scouring pads or steel wool pads. They will not only scratch the basin, but will also leave a residue of small iron particles on the surface, which may or may not be visible, but will almost certainly cause rusting and corrosion.
- Never leave wet sponges or cleaning pads in the basin overnight because they will trap water and stain or discolour the basin surface. Stainless steel's unique properties are determined by how much of the surface is exposed to the atmosphere.
- We do not recommend using chlorine bleach in your stainless-steel basin because chlorine will eat away at the protective layer that keeps stainless steel from rusting. Drain cleaners that contain sulphuric or hydrochloric acid will attack the basin as well.
- In extreme cases, repeatedly pouring boiling hot water into coloured basins can cause crazing and cracking. As a result, we advise caution when releasing hot water directly onto the basin surface for long periods of time.

## ***For more information***

- visit [betterbathrooms.com](https://www.betterbathrooms.com)
- email [customerservices@buyitdirect.co.uk](mailto:customerservices@buyitdirect.co.uk)
- call 0330 390 3062
- write to Trident Business Park, Neptune Way, Huddersfield, HD2 1UA

**better**   
**bathrooms**

Part of the BuyItDirect Group